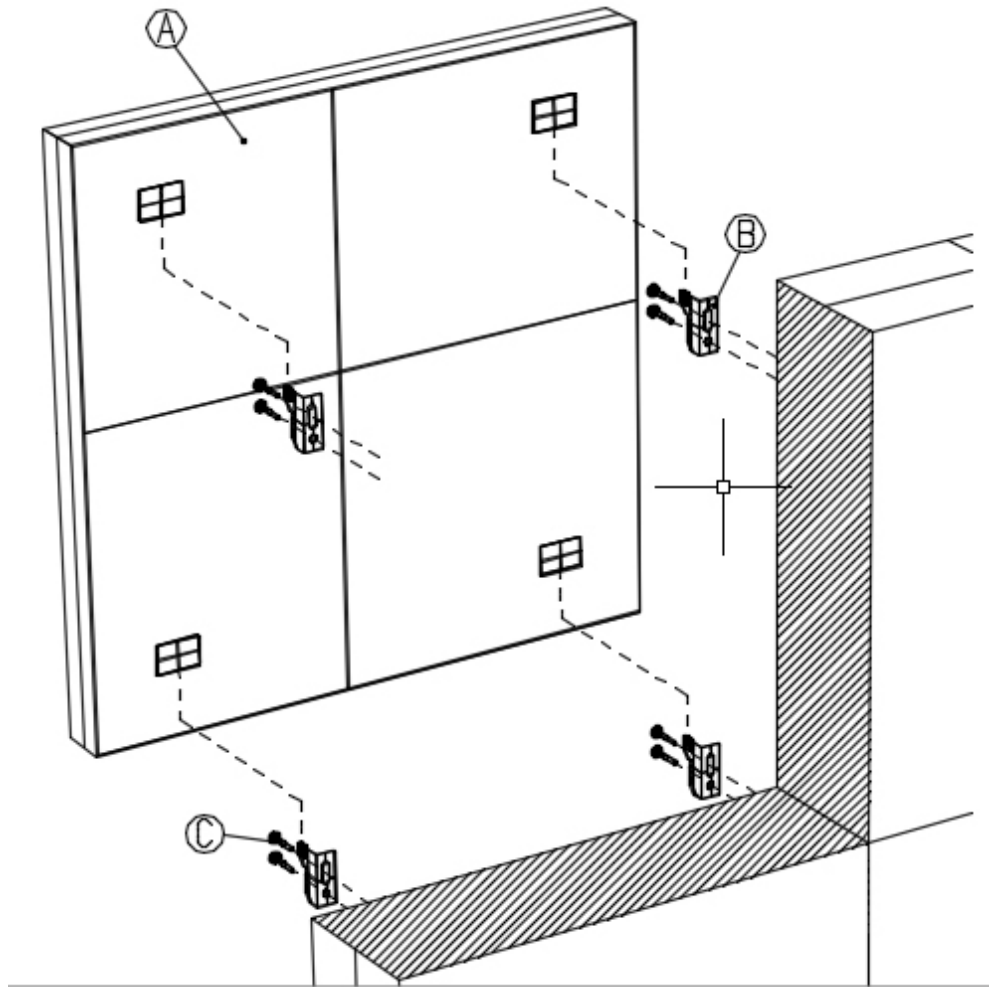


## Outline dry electric installation & maintenance instructions



### Key

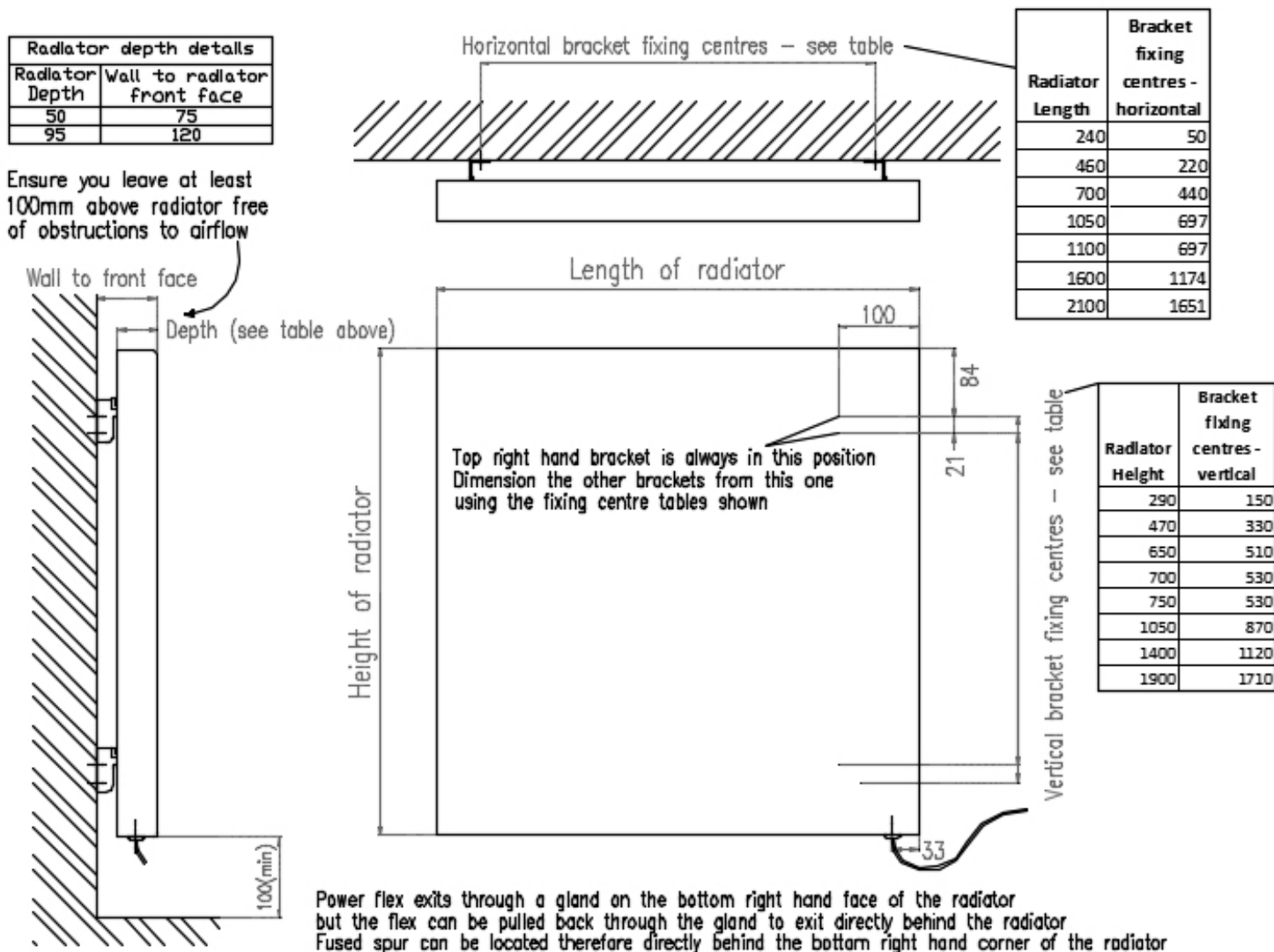
Component	Qty
<b>A</b> Radiator	1
<b>B</b> Wall mounting brackets	2 (these are attached to radiator manifold with ties for transit)
<b>C</b> Screws*	8 required in total
<b>D</b> Radiator bottom holding bracket	1 (attached to radiator)
<b>E</b> M6 x 12mm capscrew	1
<b>F</b> Wall holding bracket	1 off

\* Screws and wall plugs are not supplied with radiator. Screws must be selected according to wall material and construction, i.e. brickwork, plasterboard, wood panelling etc. The maximum design loading per fixing is 8kg.

### Tools required

Tape measure  
 Spirit Level  
 Electric Drill  
 Masonry drill bit to suit wall plug or screw size (Eskimo brackets will take screws up to 7mm in diameter)  
 Screws & Wall plugs as required  
 Screwdriver

## Installation Instructions



- Before starting work, ensure working area is free of obstructions and objects that could cause harm to you or the radiator. Unpack radiator carefully but **peel off protective plastic film if inspection is required then reapply until installation is complete**. If laying the radiator onto the floor place it with the back (aluminium heat exchanger) face to the floor, unless you can ensure that there is nothing underneath that could cause damage to the flat panel face – grit or foreign objects can scratch the flat panel through the protective film.
- Bracket fixing positions are shown on the drawing above. Accurately mark out hole positions on wall using a spirit level and tape measure.
- Drill holes *for slotted bracket hole only* in wall as required by screws and wall plugs used.
- Attach wall mounting brackets (B) to wall initially with one screw only through slotted hole ensuring the hook is at the top.
- Check brackets for alignment using spirit level, and adjust as necessary, then drill and screw second bracket hole. **It is essential that all brackets align correctly with their corresponding mounting positions on the radiator.**
- Hang the radiator onto the brackets (B) ensuring both brackets are fully engaged. **Radiators are a heavy item, and many of the radiators in our range require more than 1 person to lift them safely. Never attempt to mount a radiator that you cannot comfortably lift.**
- Wire radiator into a fused spur providing a means of isolation in accordance with current ISO standards.
- Remove protective plastic film before subjecting radiator to heat.**
- If installation problems arise, please refer to the Eskimo website for more detailed information. If problems persist, please contact the Eskimo technical department – the number is shown at the top of this page.
- Brushed stainless steel can be cleaned with baby oil, mirror stainless steel with a mirror cleaner. **Abrasive cleaners should never be used on Eskimo products.**



DECLARATION OF PERFORMANCE  
No. 005CPR 2014-06-23

Outline dry electric range heat emitter with optional towel rail(s) for drying and warming of towels.  
Type Nos: DE1010A to DE99999999S

For the space heating of domestic and commercial premises.

Designed & manufactured by:  
Eskimo Products Ltd  
Valepits Rd  
Garretts Green Industrial Estate  
Birmingham  
B33 0TD

Manufacturing facility certified to BS EN ISO 9001:2008

Essential characteristics	Performance	Harmonised technical specification
<b>4.1 Reaction to fire class</b>	Class A1	NA
<b>4.2 Release of dangerous substances (pre-treatment and paint)</b>	The materials in this product do not contain or release any dangerous substances in excess of the maximum levels specified in existing European material standards or any national regulations	
<b>4.3 Pressure tightness – test pressure</b>	NA	
Maximum operating pressure	NA	
<b>4.4 Rated thermal output and thermal output in different operating conditions</b>	Dependent upon specific part number supplied, the thermal output is certified as being in accordance with the official Eskimo Products Ltd. published data	
<b>4.5 Durability (resistance to corrosion of the pre-treatment and paint)</b>	Pass	
<b>Durability (corrosion resistance of wetted parts)</b>	NA	
<b>Durability – fatigue resistance – pressure cycling according to Eskimo Products Ltd standard 3.1</b>	NA	
<b>Durability – fatigue resistance – thermal cycling according to Eskimo Products Ltd standard 3.2</b>	Type > 5475 cycles from 10°C to 90°C Pass	
<b>Maximum operating temperature</b>	95°C	

The performance of the product identified above is in conformity with the declared performance.

The declaration of performance is issued under the sole responsibility of the manufacturer identified above.  
Signed for and on behalf of Eskimo Products Ltd:



Managing Director  
Birmingham, UK, July 1<sup>st</sup>, 2014